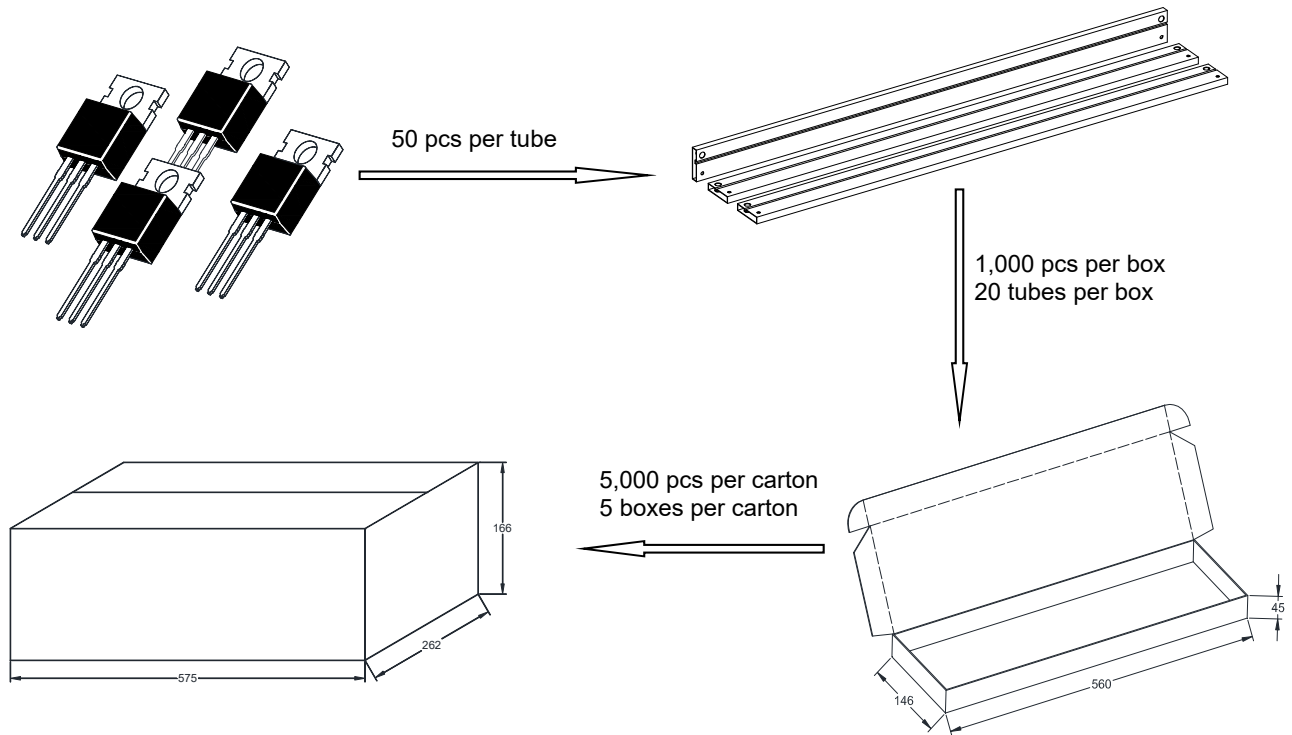
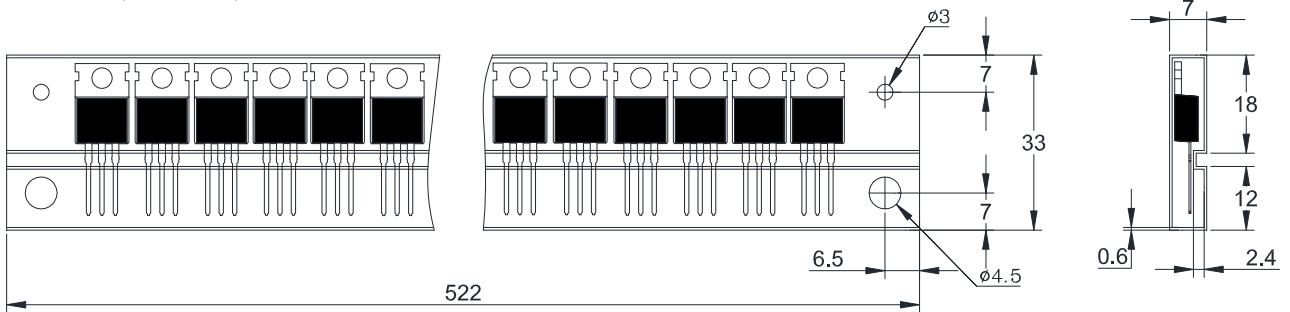


Packaging Specifications of Tube Pack for TO-220FB

1. The method of packaging and dimension are shown as below figure. (Dimension in mm)



2. Tube data (Units: mm)



3. Label

3.1 The information of inner box label must be listed: (Description of a sample label)

3.1.1	TYPE		means (Product) TYPE (Part No.)
3.1.2	P/O:		means (Order No.) (P/O No.)
3.1.3	P/N:		means (Customer No.) (Part No.)
3.1.4	QTY		means (Product) Quantity (QTY)
3.1.5	D/C		means Dice Lot No./ Code (D/C)
3.1.6	P/C		means Production Code (P/C)
3.1.7	RMK		means Manufacturing Date (RMK)

3.2 The information of carton label must be listed;

- 3.2.1 TYPE
- 3.2.2 QTY

