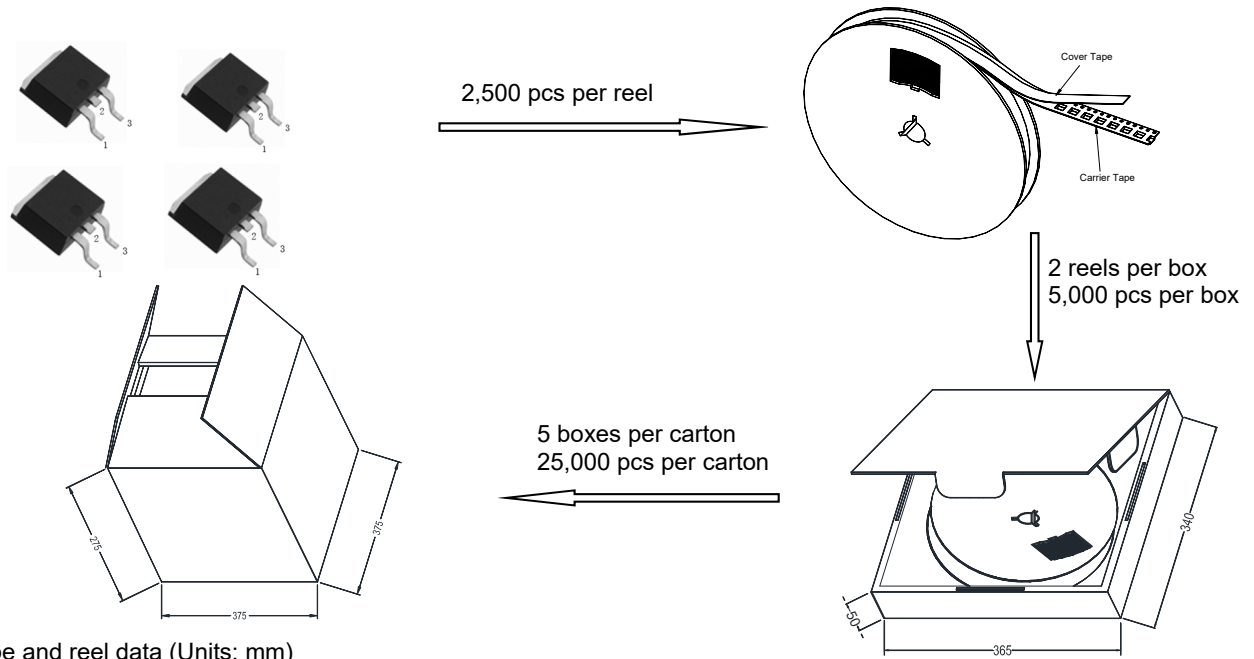
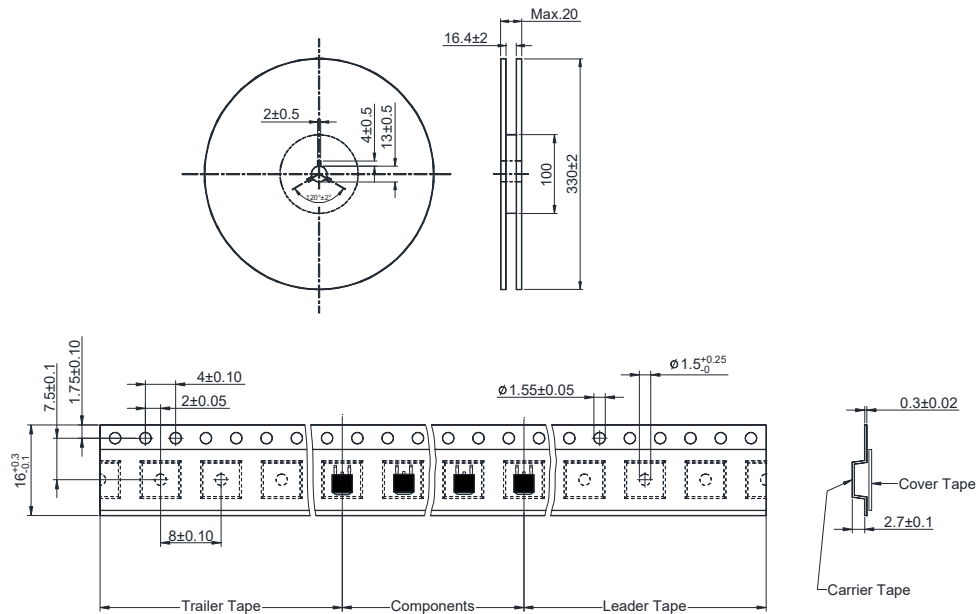


Packaging Specifications of Tape for TO-252

1. The method of packaging and dimension are shown as below figure. (Dimension in mm)



2. Tape and reel data (Units: mm)



3. Label

3.1 The information of inner box label must be listed: (Description of a sample label)

3.1.1	TYPE	means (Product) TYPE (Part No.)
3.1.2	P/O:	means (Order No.) (P/O No.)
3.1.3	P/N:	means (Customer No.) (Part No.)
3.1.4	QTY	means (Product) Quantity (QTY)
3.1.5	D/C	means Dice Lot No./ Code (D/C)
3.1.6	P/C	means Production Code (P/C)
3.1.7	RMK	means Manufacturing Date (RMK)

3.2 The information of carton label must be listed;

- 3.2.1 TYPE
- 3.2.2 QTYP

