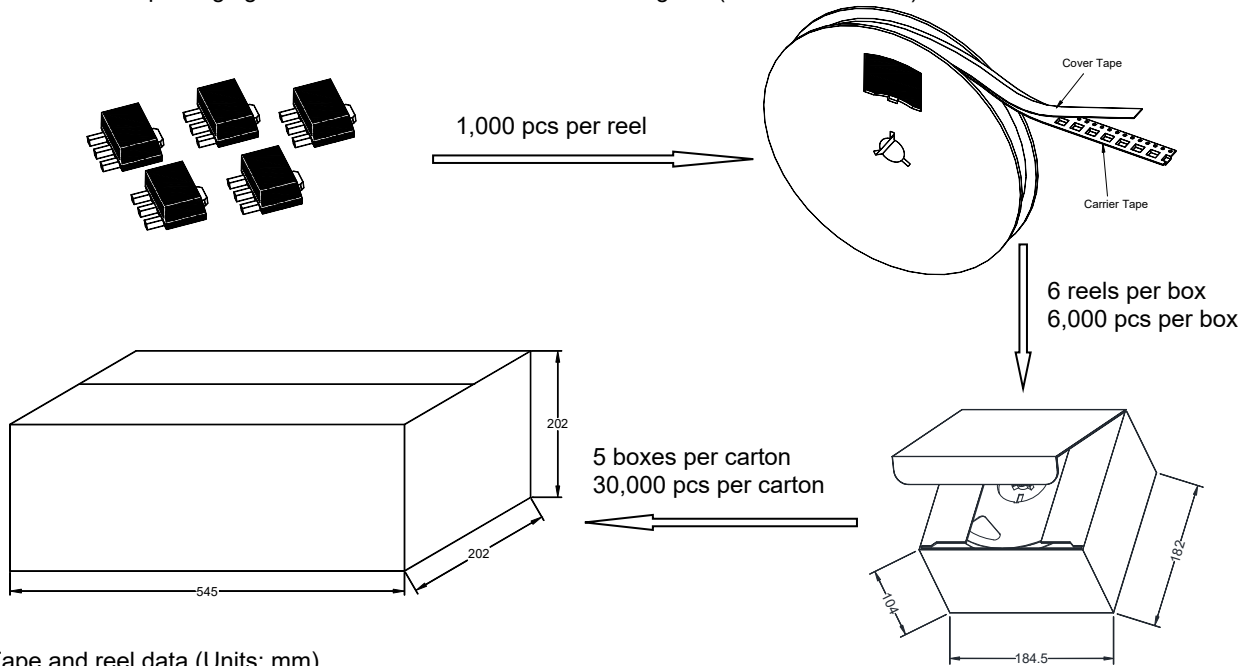
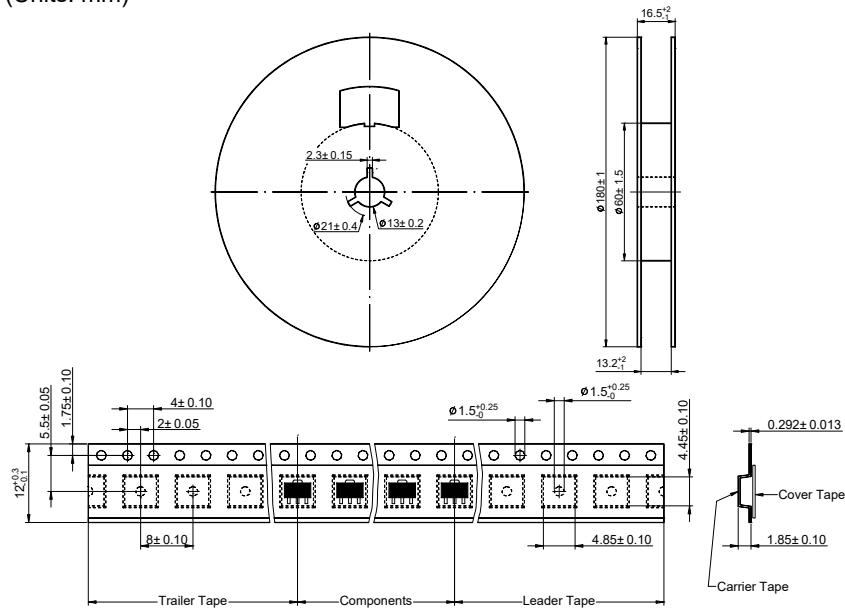


Packaging Specifications of Tape and 7" Reel for SOT-89

1. The method of packaging and dimension are shown as below figure. (Dimension in mm)



2. Tape and reel data (Units: mm)



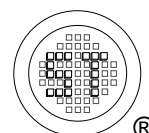
3. Label

3.1 The information of inner box label must be listed: (Description of a sample label)

- | | | |
|-------|------------------------|---------------------------------|
| 3.1.1 | TYPE ST2A1666YU | means (Product) TYPE (Part No.) |
| 3.1.2 | QTY 1,000 PCS | means (Product) Quantity (QTY) |
| 3.1.3 | D/C SLOB3N0917S01 | means Dice Lot No./ Code (D/C) |
| 3.1.4 | P/C DBEB0822A | means Production Code (P/C) |
| 3.1.5 | RMK 50121 | means Manufacturing Date (RMK) |

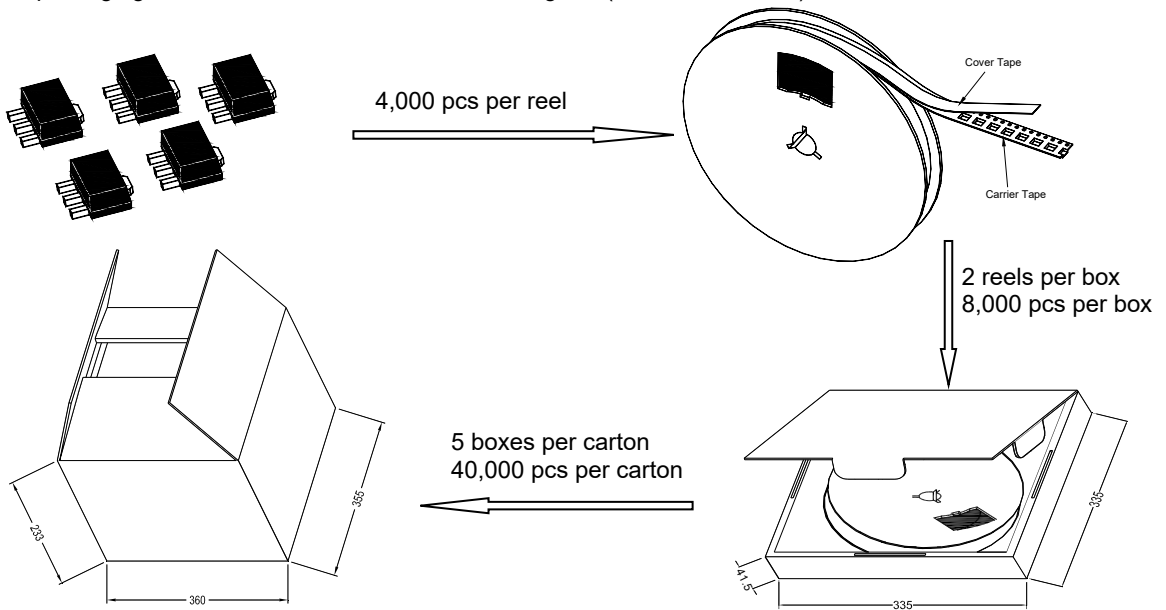
3.2 The information of carton label must be listed;

- 3.2.1 TYPE
- 3.2.2 QTY

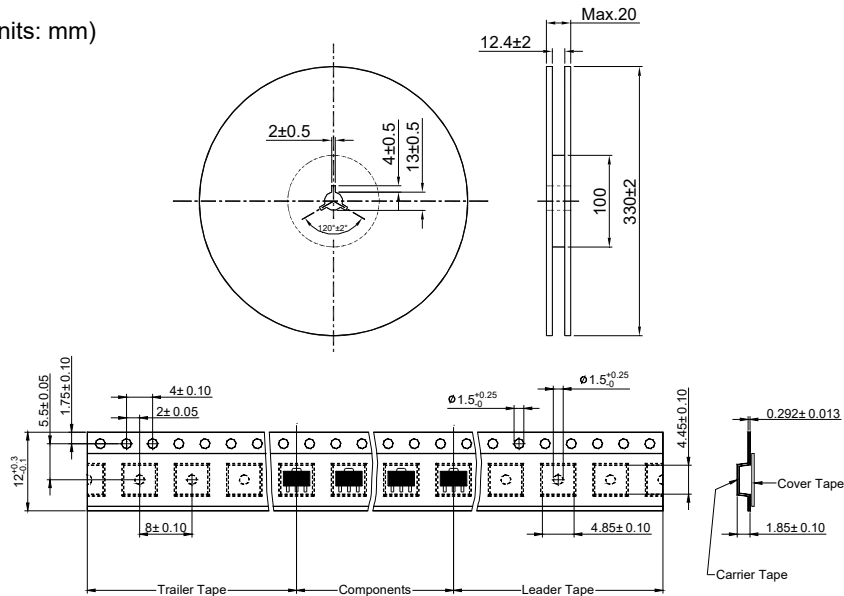


Packaging Specifications of Tape and 13" Reel for SOT-89

1. The method of packaging and dimension are shown as below figure. (Dimension in mm)



2. Tape and reel data (Units: mm)



3. Label

3.1 The information of inner box label must be listed: (Description of a sample label)

3.1.1 **TYPE ST2A1666YU** means (Product) TYPE (Part No.)

3.1.2 **QTY 4,000 PCS** means (Product) Quantity (QTY)

3.1.3 **D/C SLOB3N0917S01** means Dice Lot No./ Code (D/C)

3.1.4 **P/C DBEB0822A** means Production Code (P/C)

3.1.5 **RMK 50121** means Manufacturing Date (RMK)

3.2 The information of carton label must be listed;

3.2.1 TYPE

3.2.2 QTY

