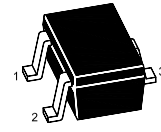
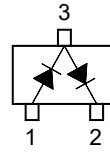


BAV99SEW-AH

Silicon Epitaxial Planar Switching Diode

Features

- AEC-Q101 Qualified
- Halogen and Antimony Free(HAF), RoHS compliant



SOT-323 Plastic Package

1. Anode 2. Cathode 3. Cathode / Anode

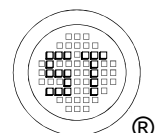
Absolute Maximum Ratings ($T_a = 25^\circ\text{C}$)

Parameter	Symbol	Value	Unit
Repetitive Peak Reverse Voltage	V_{RRM}	100	V
Reverse Voltage	V_R	100	V
Continuous Forward Current	I_F	150	mA
Single Diode Load Double Diode Load		130	
Repetitive Peak Forward Current	I_{FRM}	500	mA
Non-Repetitive Peak Forward Surge Current	I_{FSM}	4	A
at $t = 1 \mu\text{s}$		1	
at $t = 1 \text{ms}$ at $t = 1 \text{s}$		0.5	
Power Dissipation	P_D	200	mW
Junction Temperature	T_j	150	$^\circ\text{C}$
Storage Temperature Range	T_{stg}	- 55 to + 150	$^\circ\text{C}$

Thermal Characteristics

Parameter	Symbol	Max.	Unit
Thermal Resistance from Junction to Ambient ¹⁾	$R_{\theta JA}$	625	$^\circ\text{C/W}$

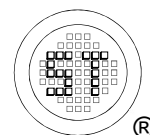
¹⁾ Device mounted on FR-4 substrate PC board, with minimum recommended pad layout.



BAV99SEW-AH

Characteristics at $T_a = 25^\circ\text{C}$

Parameter	Symbol	Min.	Max.	Unit
Reverse Breakdown Voltage at $I_R = 10 \mu\text{A}$	$V_{BR(R)}$	100	-	V
Forward Voltage at $I_F = 1 \text{ mA}$ at $I_F = 10 \text{ mA}$ at $I_F = 50 \text{ mA}$ at $I_F = 150 \text{ mA}$	V_F	- - - -	0.715 0.855 1 1.25	V
Reverse Current at $V_R = 25 \text{ V}$ at $V_R = 80 \text{ V}$ at $V_R = 25 \text{ V}, T_j = 150^\circ\text{C}$ at $V_R = 80 \text{ V}, T_j = 150^\circ\text{C}$	I_R	- - - -	30 0.5 30 50	nA μA μA μA
Diode Capacitance at $V_R = 0, f = 1 \text{ MHz}$	C_d	-	1.5	pF
Reverse Recovery Time at $I_F = 10 \text{ mA}, V_R = 6 \text{ V}, R_L = 100 \Omega, I_{RR} = 0.1 \times I_R$	t_{rr}	-	4	ns



BAV99SEW-AH

Electrical Characteristics Curves

Fig 1. Power Derating Curve

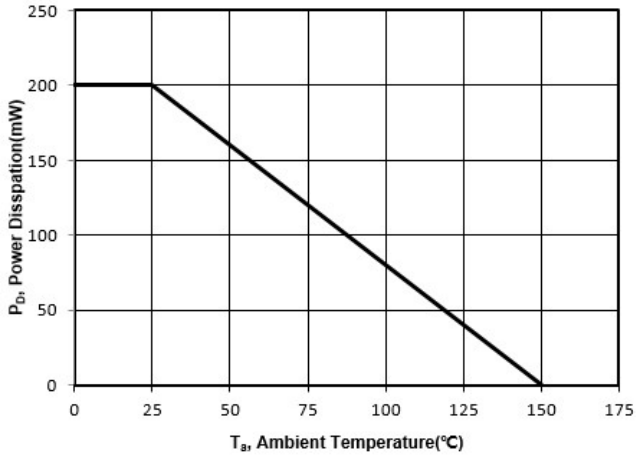


Fig 2. Forward Characteristics

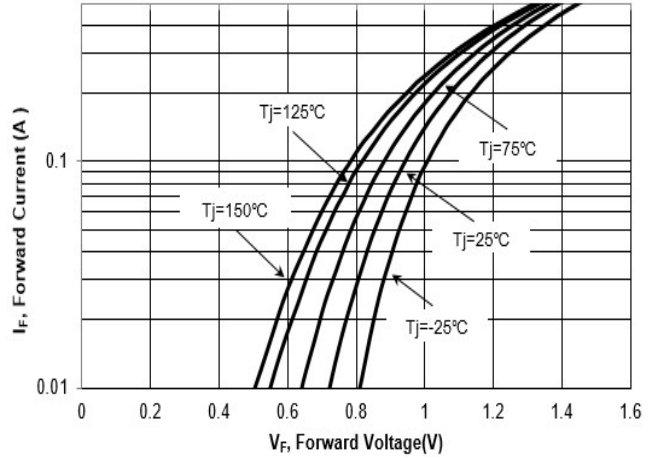


Fig 3. Reverse Current vs. Reverse Voltage

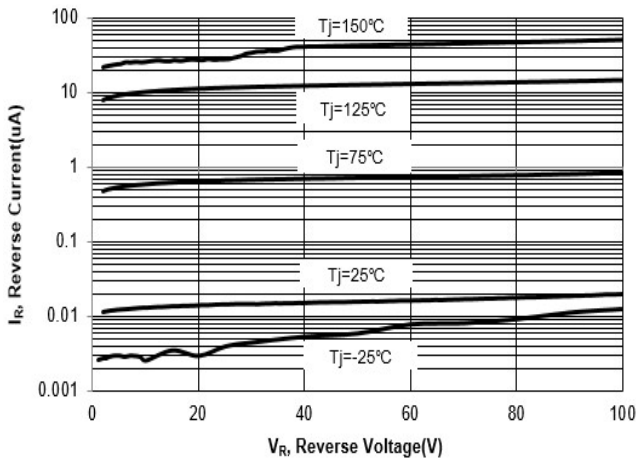
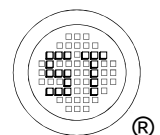
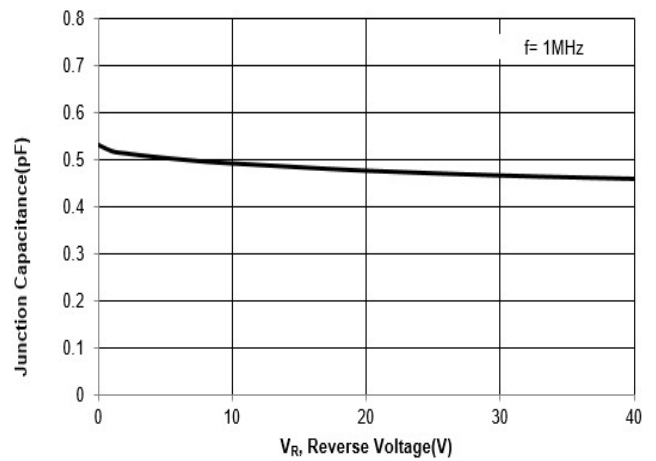


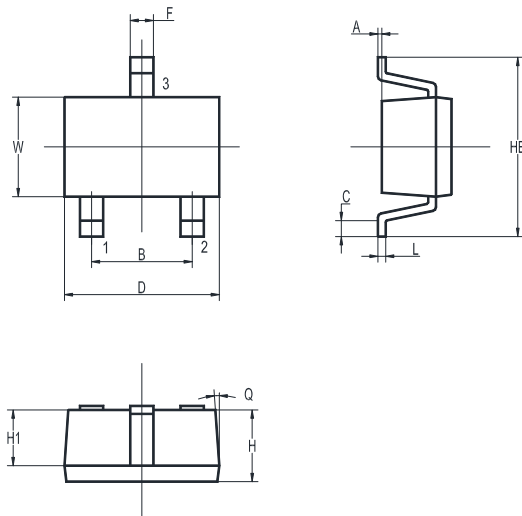
Fig 4. Total Capacitance vs. Reverse Voltage



BAV99SEW-AH

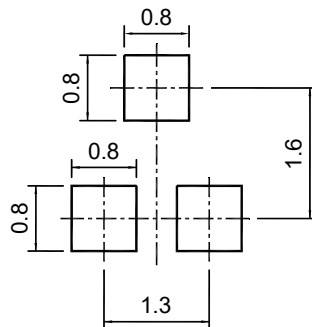
Package Outline Dimensions (Units: mm)

SOT-323



UNIT	A	B	C	D	H	H1	HE	F	L	W	Q
mm	0.1 MAX.	1.4 1.2	0.2 MIN.	2.1 1.9	1.0 0.8	0.7 TYP.	2.4 2.0	0.35 0.25	0.15 0.05	1.35 1.15	5° MAX.

Recommended Soldering Footprint

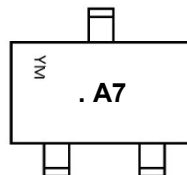


Packing information

Package	Tape Width (mm)	Pitch		Reel Size		Per Reel Packing Quantity
		mm	inch	mm	inch	
SOT-323	8	4 ± 0.1	0.157 ± 0.004	178	7	3,000

Marking information

- " A7" = Part No.
- " • " = HAF (Halogen and Antimony Free)
- " YM " = Date Code Marking
- " Y " = Year
- " M " = Month



Font type: Arial

Disclaimer: Our company reserve the right to make modifications, enhancements, improvements, corrections or other changes to improve product design, functions and reliability, anytime without notice. Semtech Electronics Limited makes no warranties, representations or warranties regarding the suitability of its products for any particular purpose, and does not accept any liability arising from the application or use of any product or circuit such as: Apply to medical, military, aircraft, space or life support equipment and expressly waive any and all liability, including but not limited to special, consequential or collateral damage.

