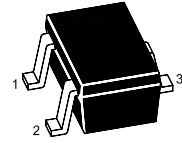


BAS70W / -04W / -05W / -06W

Surface Mount Schottky Barrier Diodes

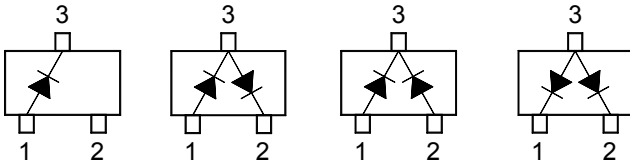
Features

- Low turn-on voltage
- Fast switching



SOT-323 Plastic Package

BAS70W BAS70-04W BAS70-05W BAS70-06W



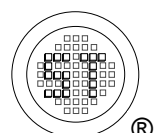
BAS70W Marking Code: **73**
 BAS70-04W Marking Code: **74**
 BAS70-05W Marking Code: **75**
 BAS70-06W Marking Code: **76**

Absolute Maximum Ratings ($T_a = 25^\circ\text{C}$)

Parameter	Symbol	Value	Unit
Repetitive Peak Reverse Voltage	V_{RRM}	70	V
DC Blocking Voltage	V_R	70	V
Forward Continuous Current	I_F	70	mA
Peak Forward Surge Current (at $t_p \leq 8.3$ ms)	I_{FSM}	100	mA
Power Dissipation	P_d	200	mW
Junction Temperature	T_J	150	$^\circ\text{C}$
Storage Temperature Range	T_{Stg}	- 65 to + 150	$^\circ\text{C}$

Characteristics at $T_a = 25^\circ\text{C}$

Parameter	Symbol	Min.	Max.	Unit
Forward Voltage at $I_F = 1$ mA at $I_F = 15$ mA	V_F	-	0.41	V
	V_F	-	1	V
Reverse Breakdown Voltage at $I_R = 10$ μA	$V_{(BR)R}$	70	-	V
Reverse Leakage Current at $V_R = 50$ V	I_R	-	100	nA
Junction Capacitance at $V_R = 0$ V, $f = 1$ MHz	C_J	-	2	pF
Reverse Recovery Time at $I_F = I_R = 10$ mA, $I_{rr} = 0.1 \cdot I_R$	t_{rr}	-	5	ns



BAS70W / -04W / -05W / -06W

Electrical Characteristics Curves

Fig 1. Reverse Characteristics Curve

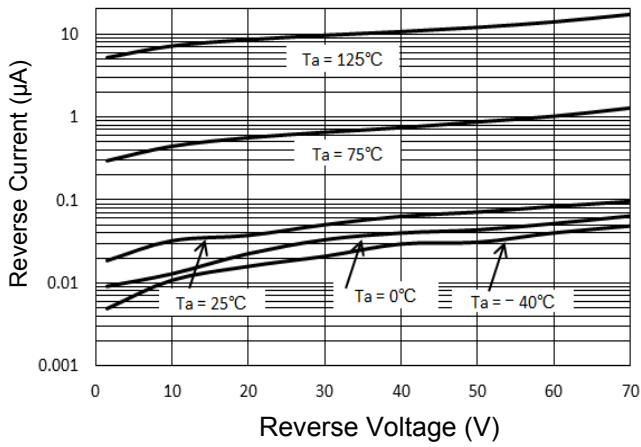


Fig 2. Forward Characteristics Curve

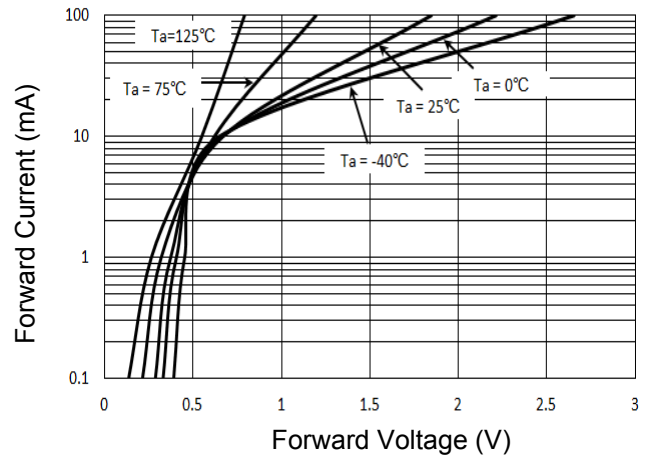
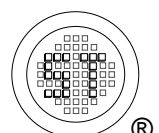
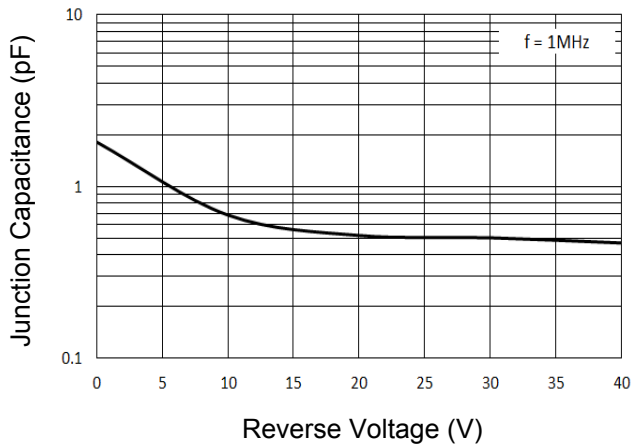


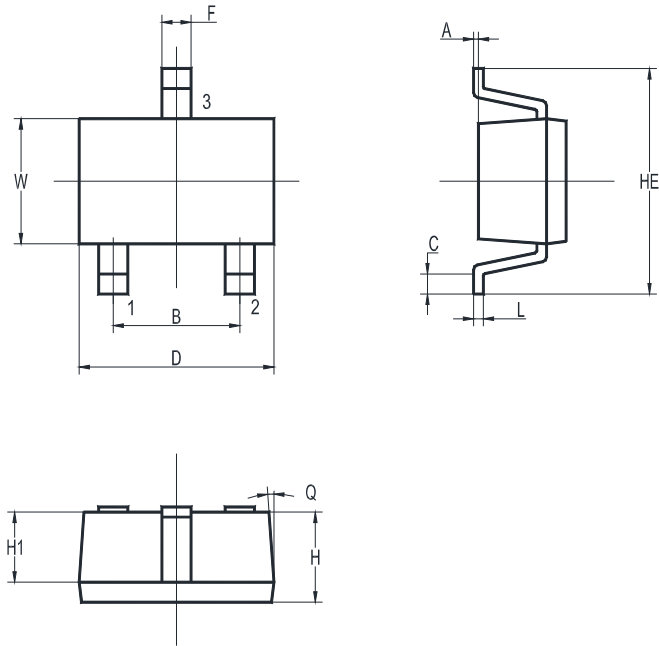
Fig 3. Junction Capacitance



BAS70W / -04W / -05W / -06W

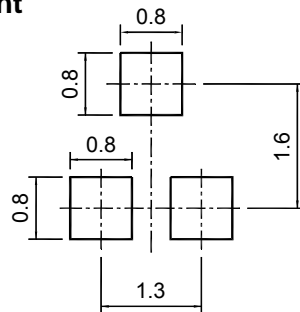
Package Outline Dimensions (Units: mm)

SOT-323



UNIT	A	B	C	D	H	H1	HE	F	L	W	Q
mm	0.1 MAX.	1.3 1.2	0.2 MIN.	2.1 1.9	1.0 0.8	0.7 TYP.	2.4 2.0	0.35 0.25	0.15 0.05	1.35 1.15	5° MAX.

Recommended Soldering Footprint



Packing information

Package	Tape Width (mm)	Pitch		Reel Size		Per Reel Packing Quantity
		mm	inch	mm	inch	
SOT-323	8	4 ± 0.1	0.157 ± 0.004	178	7	3,000

Marking information

" ** " = Part No.

" YM " = Date Code Marking

" Y " = Year

" M " = Month

Font type: Arial

