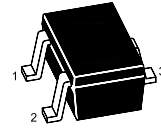
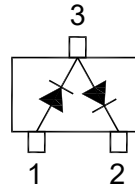


1SS115SEW

Silicon Epitaxial Planar Switching Diode

Features

- Small package
- Small total capacitance
- Low series resistance
- VHF tuner band switch applications



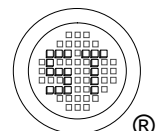
SOT-323 Plastic Package
Marking Code: 5P

Absolute Maximum Ratings ($T_a = 25^\circ\text{C}$)

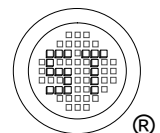
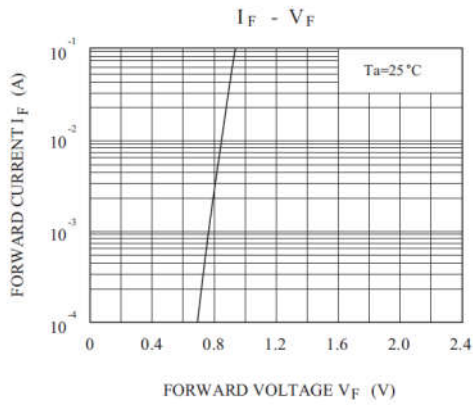
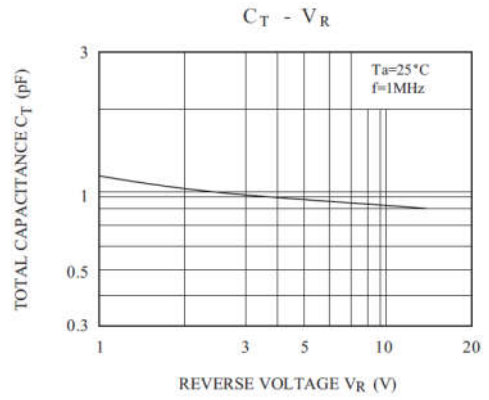
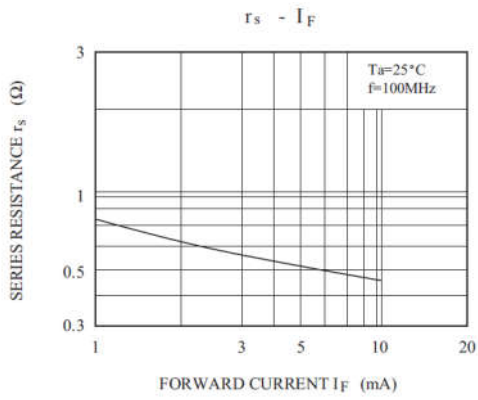
Parameter	Symbol	Value	Unit
Reverse Voltage	V_R	30	V
Forward Current	I_F	50	mA
Junction Temperature	T_J	125	$^\circ\text{C}$
Storage Temperature Range	T_{stg}	- 55 to + 125	$^\circ\text{C}$

Characteristics at $T_a = 25^\circ\text{C}$

Parameter	Symbol	Min.	Max.	Unit
Reverse Voltage at $I_R = 1 \mu\text{A}$	V_R	30	-	V
Forward Voltage at $I_F = 2 \text{ mA}$	V_F	-	0.85	V
Reverse Current at $V_R = 15 \text{ V}$	I_R	-	0.1	μA
Total Capacitance at $V_R = 6 \text{ V}$, $f = 1 \text{ MHz}$	C_T	-	1.2	pF
Series Resistance at $I_F = 2 \text{ mA}$, $f = 100 \text{ MHz}$	r_s	-	0.9	Ω



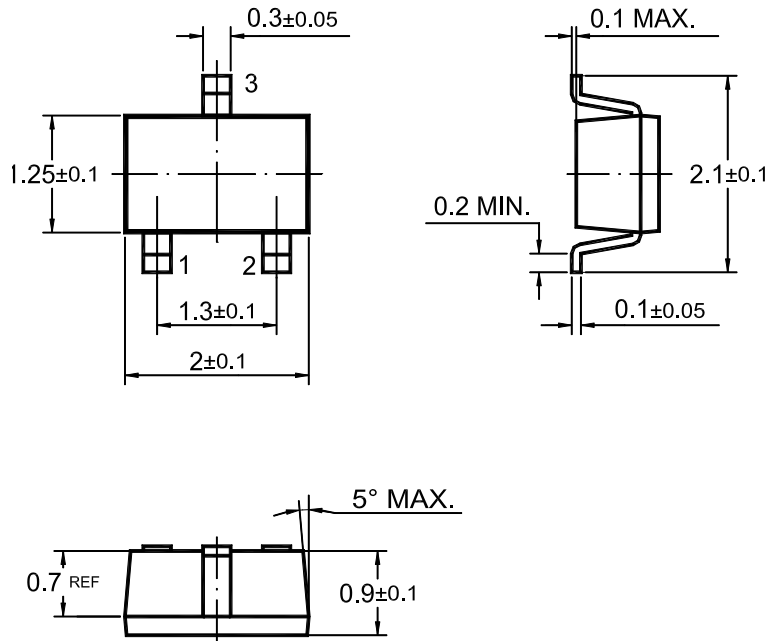
1SS115SEW



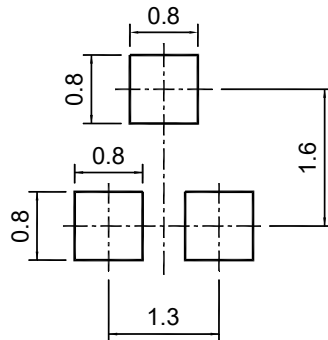
1SS115SEW

PACKAGE OUTLINE(Dimensions in mm)

SOT-323



Recommended Soldering Footprint



Packing information

Package	Tape Width (mm)	Pitch		Reel Size		Per Reel Packing Quantity
		mm	inch	mm	inch	
SOT-323	8	4 ± 0.1	0.157 ± 0.004	178	7	3,000

Marking information

- " ** " = Part No.
- " YM " = Date Code Marking
- " Y " = Year
- " M " = Month
- Font type: Arial

